

Installation manual

M Motorized Collaboration Floorstand 60''-100''

EAN: 7350105217418

- en Installation manual
- ar تثبيت الطاولة ليد
- cz Instalační manuál
- da Installationsmanual
- de Installationsanleitung
- ee Paigaldusjuhend
- el Οδηγίες εγκατάστασης
- es Manual de instalación
- fi Asennusohje
- fr Installation Manuel
- he הנקמה ירדמ
- hu Szerelési kézikönyv
- it Manuale di installazione
- jp 取り付け説明書
- kr 설치 설명서
- li Montavimo instrukcija
- lt Uzstādīšanas rokasgrāmata
- nl Installatie handleiding
- no Installasjonshåndbok
- pl Instrukcja instalacji
- pt Manual de instalação
- ro Manual de instalare
- ru Инструкция по установке
- sk Inštaláčny manuál
- sl Navodila za montažo
- sv Installationsmanual
- tr Montaj kılavuzu
- zh 安装手册

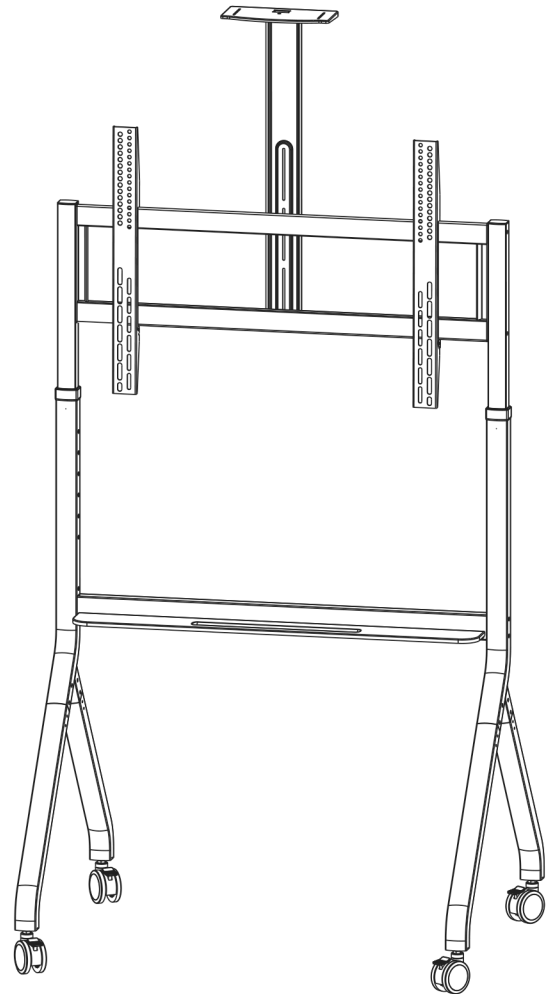


Table of Contents

Contents	2/18
Caution	3-4/18
Assembly kit	5/18

Assembly and installation

1. Product technical parameters	6/18
2. Legs and uprights assembly	7/18
3. Tray and power crossbar assembly	8/18
4. Pillar and power crossbar assembly	9/18
5. TV plate installation	10/18
6. VESA mounting patterns	11/18
7. VESA rails and TV assembly	12/18
8. Mounting TV onto cart	13/18
9. Cable management	14/18
10. Camera Tray Assembly	15/18
11. Touch panel instruction	16/18
12. Remote control instructions	17/18
13. Troubleshooting solution	18/18

Caution




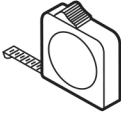




Pay attention while operating

Please read the entire instructions and safety guidelines prior to assembly. Failure to do so may cause personal injury, product damage and additional property damage.

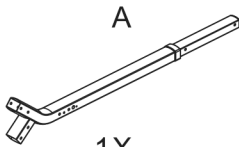
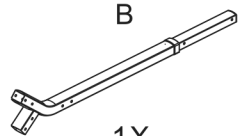
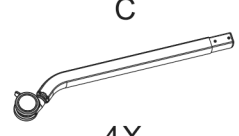
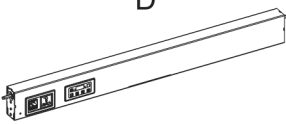
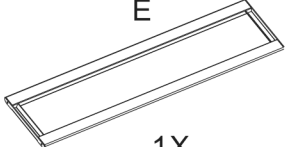
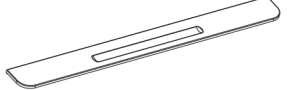
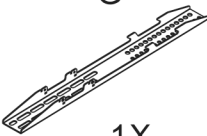
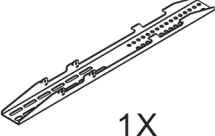
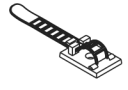
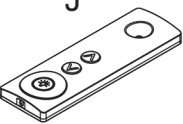
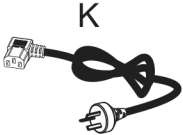
1. We want you to be completely satisfied with your new unit. If you have any questions, issues or safety concerns, please contact our professional team. We will respond promptly.
2. If you have questions about the assembly and operation of the product and if the product is damaged or parts lost, please contact local customer service for support immediately.
3. The maximum load of this unit is 200lbs/90.9kg. It fits 60"-100" LCD. DO NOT exceed the maximum permissible weight of the unit.
4. DO NOT make non-factory approved modifications. DO NOT use the unit outside of its factory approved purpose.
5. The unit contains sliding parts and electronic components. For safety's sake, please be careful in using.
6. We DECLARE that we CAN NOT be liable for damage or injury caused by improper mounting, incorrect assembly or inappropriate use.
7. Death or serious injury may occur when children climb on audio and/or video equipment furniture. A remote control or toys placed on the furnishing may encourage a child to climb on the furnishing and as a result the furnishing may tip over on to the child.
8. Relocating audio and/or video equipment to furniture not specifically designed to support audio and/or video equipment may result in death or serious injury due to the furnishing collapsing or over turning onto a child.
9. No user serviceable parts inside.
10. Tip over Warning
Serious or fatal crushing injuries can occur from tip over. To help prevent tipping over:
Never allow children to climb, stand, hang, or play on any part of TV or TV cart.
Use tip over restraint or anchor stand to wall.
Use of tip over restraints may only reduce, but not eliminate the risk of tip over.
We declare that we cannot be liable for any damage, injury or death caused by tip over.
11. Choking Hazard Warning
Small parts are not for children under 3 years. Adult supervision is required. Keep children away from the assembly hardware. Small pieces may result in choking if swallowed.
12. Do not expose to direct sunlight or hot surface. Do not place the product close to heat elements, as well as near an open fire.
13. Keep all electrical components away from liquids.
14. The TV should be in the center position, to avoid unbalanced placement and damage to items.
15. When the product is running, please pay attention to whether there are obstacles around it to avoid collision causing losses or casualties.
16. When the product is raised, please pay attention to the length of the power line during operation to prevent damaging wires causing leakage of electricity, electric shock and other potential safety hazards .

Caution

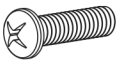
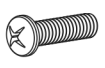









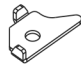
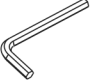
17. DO NOT place the bracket on slopes or non-parallel surfaces, avoid sloping, causing damage to items or injury to people.
18. When turning on the caster switch to move the stand, please move it slowly and do not use excessive force. When moving to the designated position, be sure to lock the casters to prevent the casters from sliding and causing the stand to move, causing losses or casualties.
19. Do not use unsafe old power line to avoid accidents.
20. Please hold the plug to pull out, do not pull out the plug with the power cable directly.

Instruction							
							
Tightening	Loosening	Philips Screwdriver	Tape Measure	Adjustment	By Hand	Hex Wrench	+ Tightening - Loosening

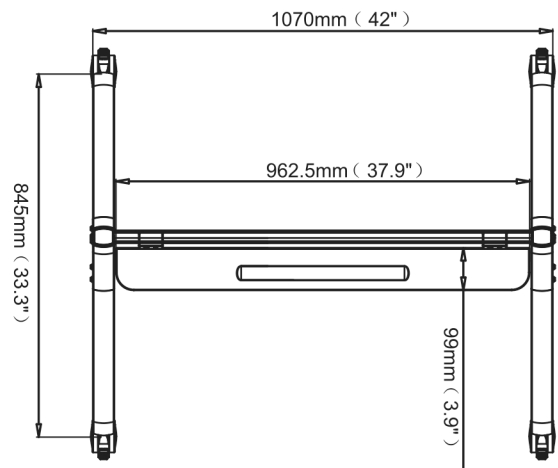
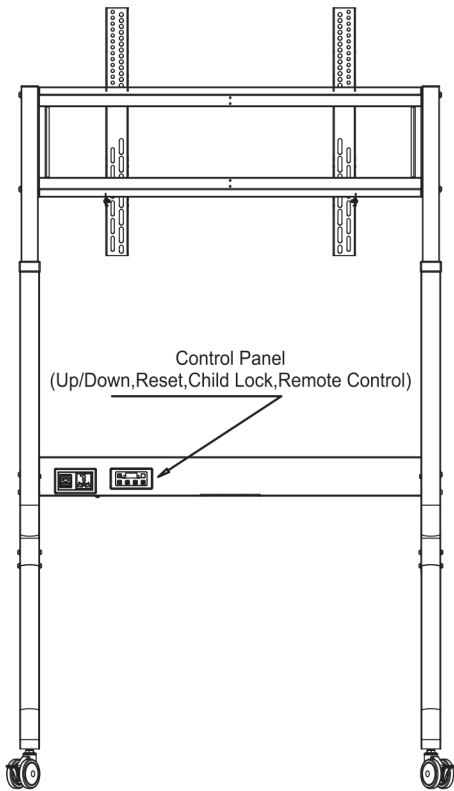
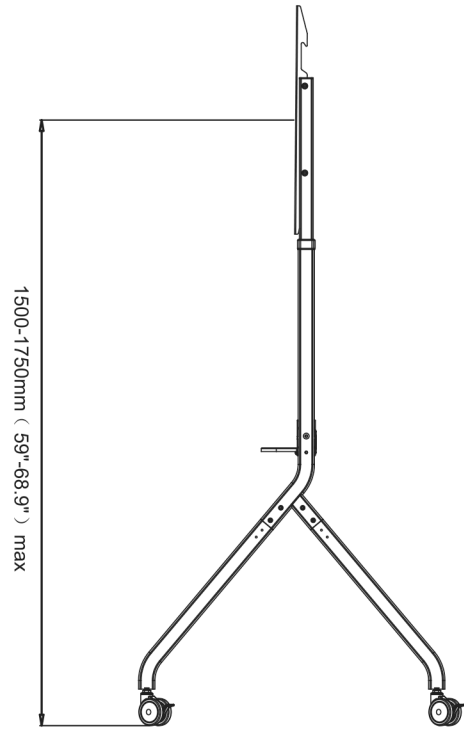
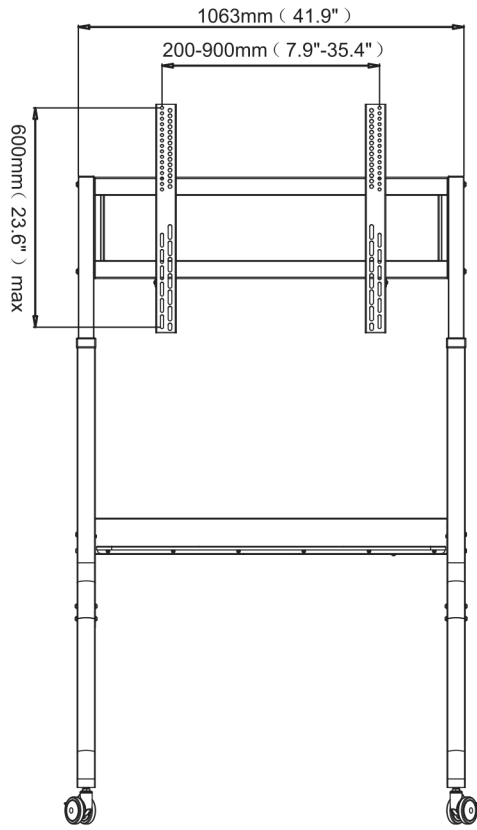
Assembly kit

<p>1</p>  <p>A 1X</p>	<p>2</p>  <p>B 1X</p>	<p>3</p>  <p>C 4X</p>
<p>4</p>  <p>D 1X</p>	<p>5</p>  <p>E 1X</p>	<p>6</p>  <p>F 1X</p>
<p>7</p>  <p>G 1X</p>	<p>8</p>  <p>H 1X</p>	<p>9</p>  <p>I 3X</p>
<p>10</p>  <p>J 1X</p>	<p>11</p>  <p>K 1X</p>	

HARDWARE KIT

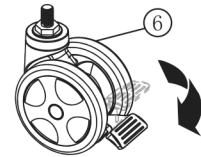
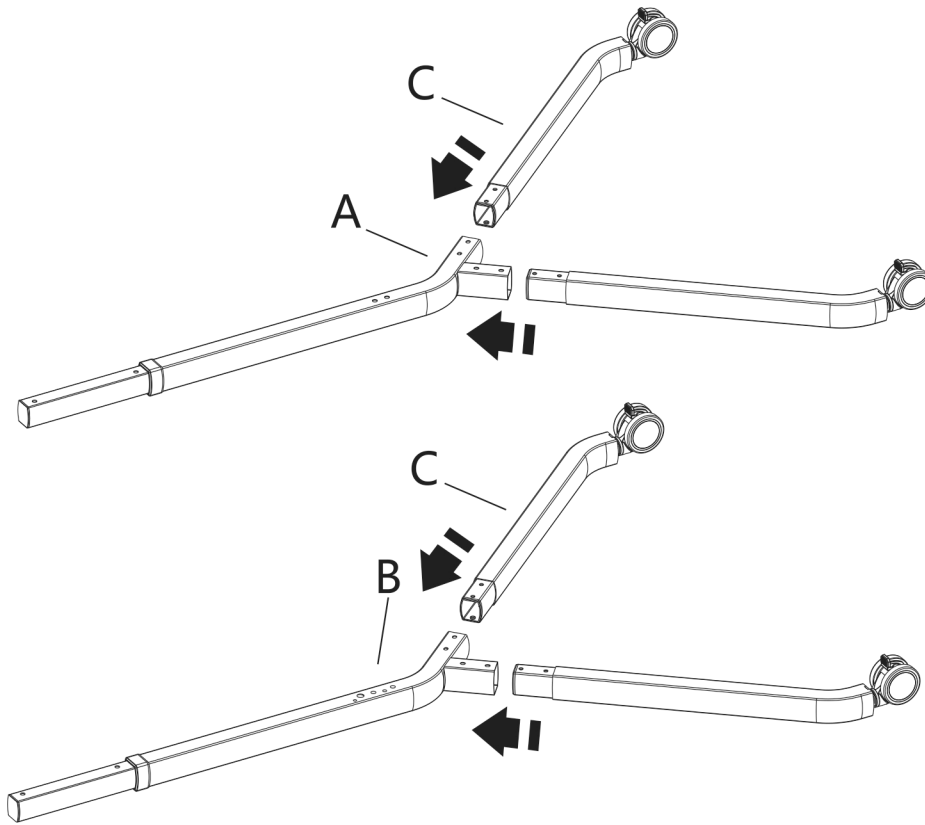
<p>A1</p>  <p>M10×15mm 4x</p>	<p>B1</p>  <p>M8×25mm 4x</p>	<p>C1</p>  <p>M6×25mm 4x</p>	<p>D1</p>  <p>M5×25mm 4x</p>	<p>E1</p>  <p>16*Φ6.2*1.5 4x</p>
<p>F1</p>  <p>Φ8.2×10mm 4x</p>	<p>A2</p>  <p>M8×60mm 8x</p>	<p>B2</p>  <p>M6×10.5mm 16x</p>	<p>C2</p>  <p>Φ8.2xΦ16x1.2mm 8x</p>	<p>D2</p>  <p>M5×10mm 11x</p>
<p>E2</p>  <p>1x</p>	<p>F2</p>  <p>1x</p>	<p>G2</p>  <p>5mm 1x</p>		

1. Technical Specifications



2. Legs and Uprights Assembly

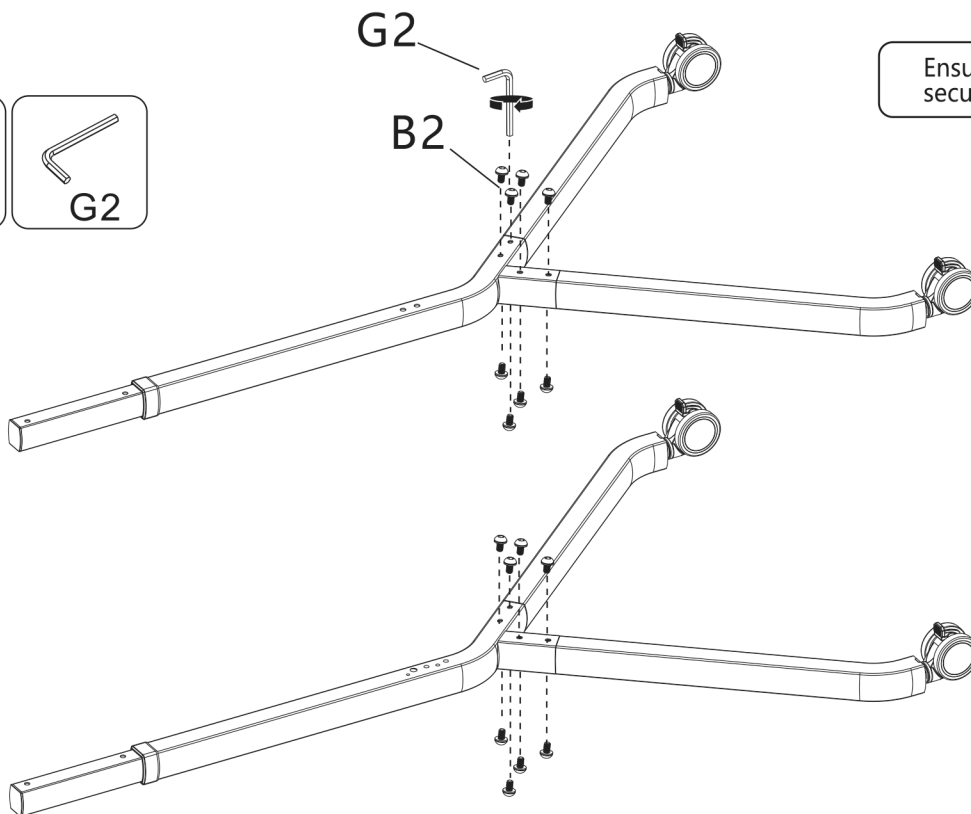
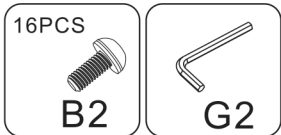
1.1



Lock the braker

Curve side inward

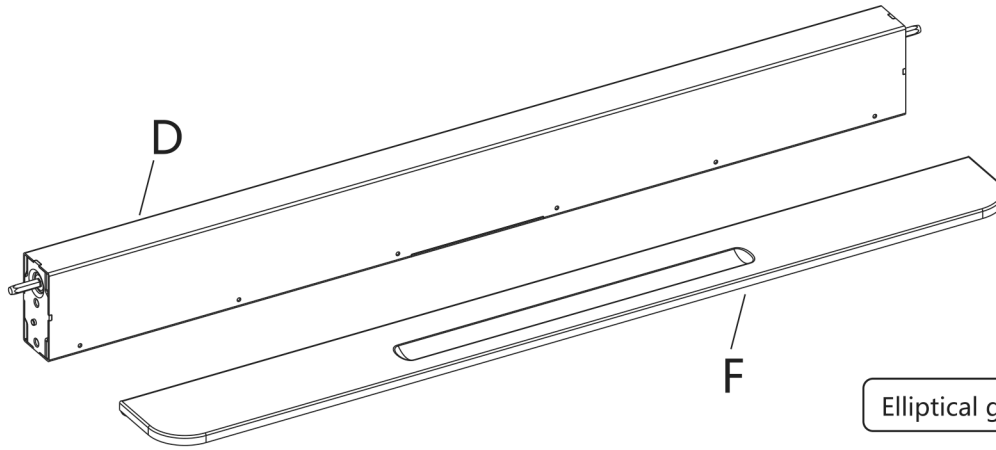
1.2



Ensure screws are secured firmly

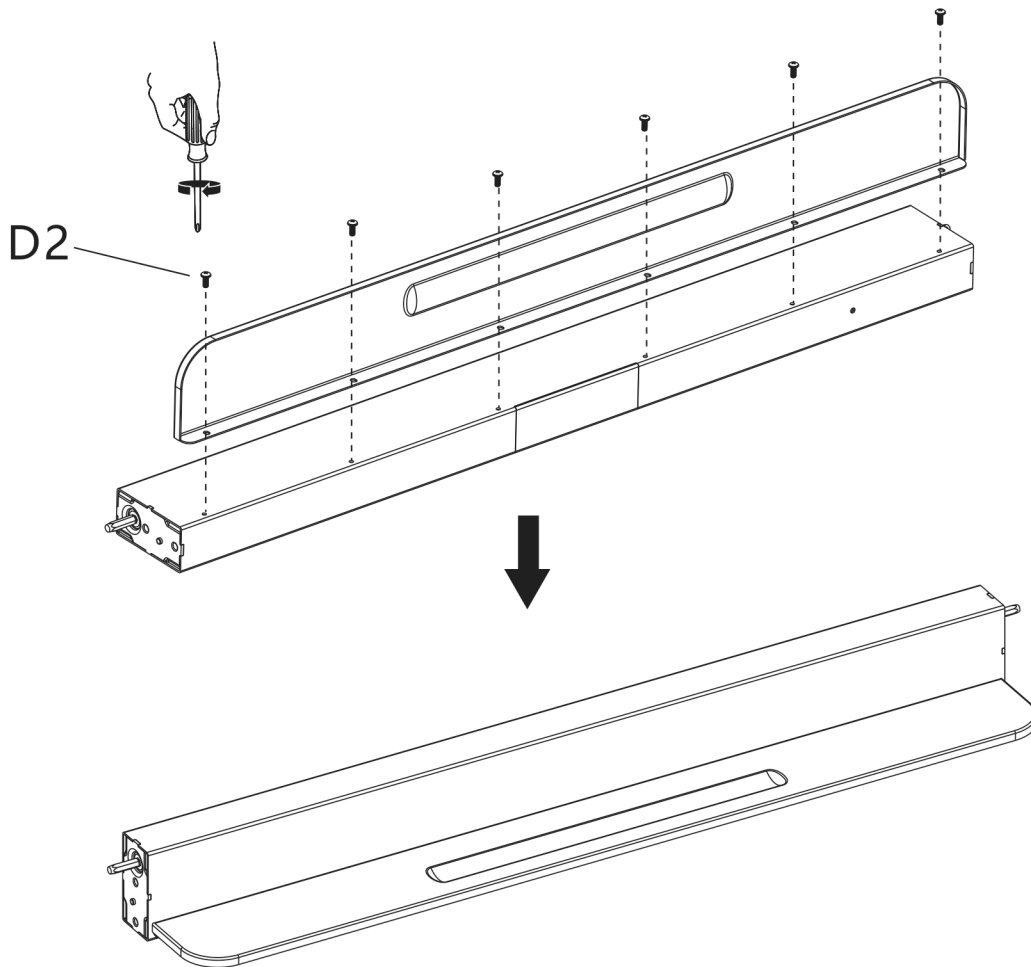
3. Tray and Power Crossbar Assembly

2.1



Elliptical groove area faces up

2.2




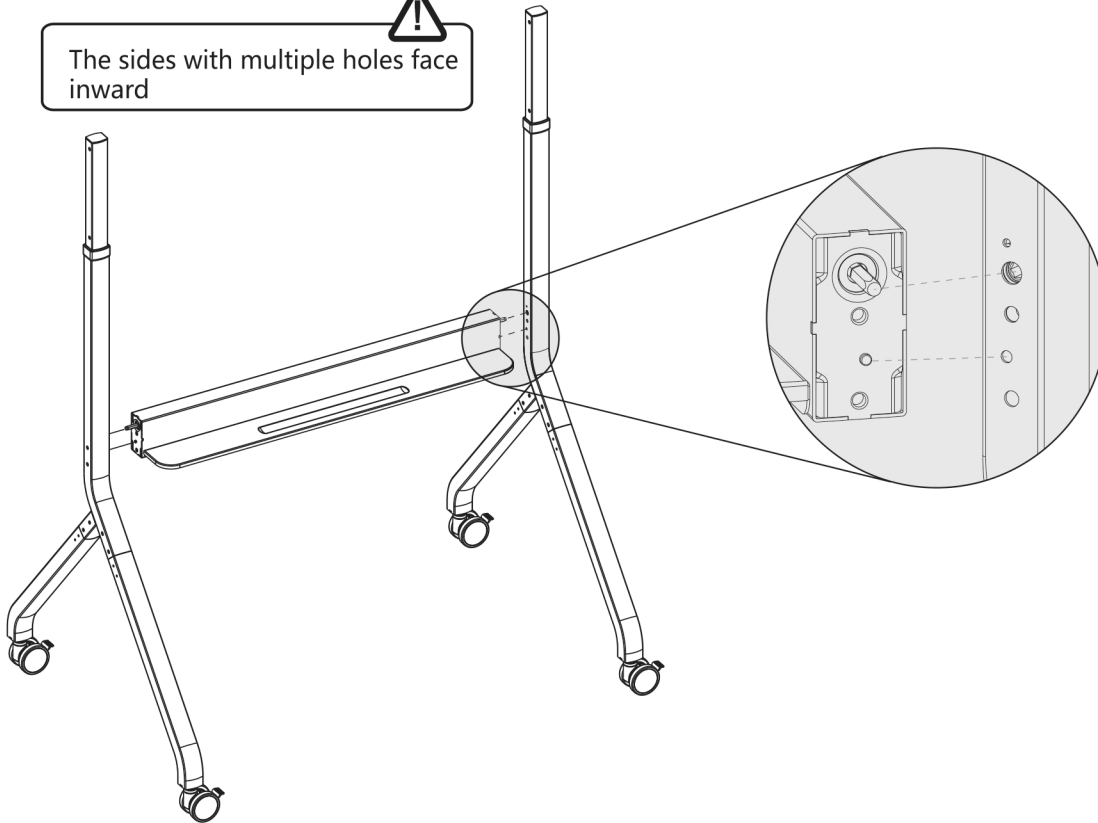
6PCS

D2


4. Pillar and Power Crossbar Assembly

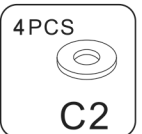
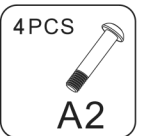
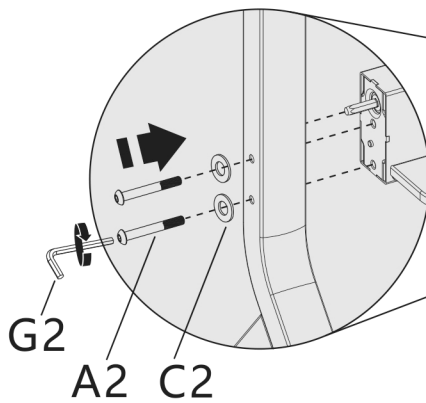
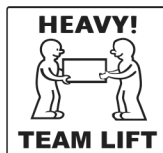
3.1

 The sides with multiple holes face inward



3.2

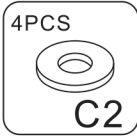
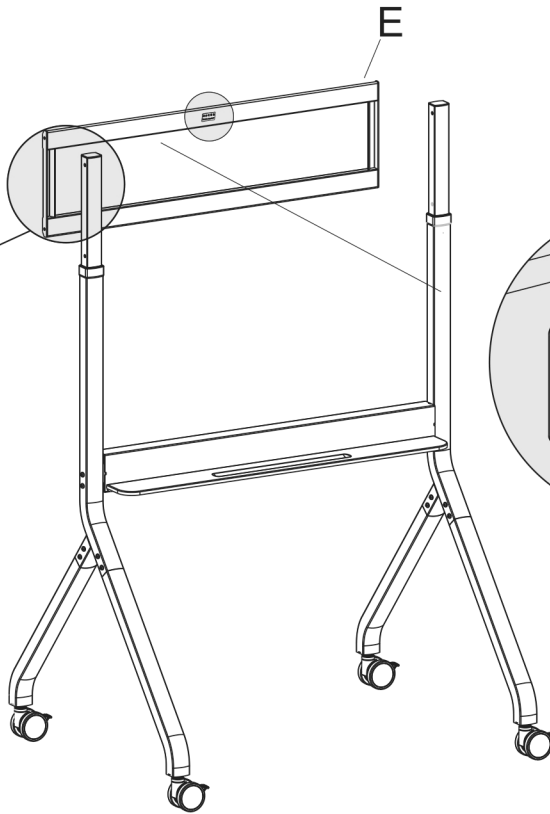
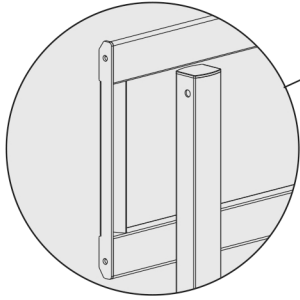
 Ensure screws are secured firmly



5. TV Plate Installation

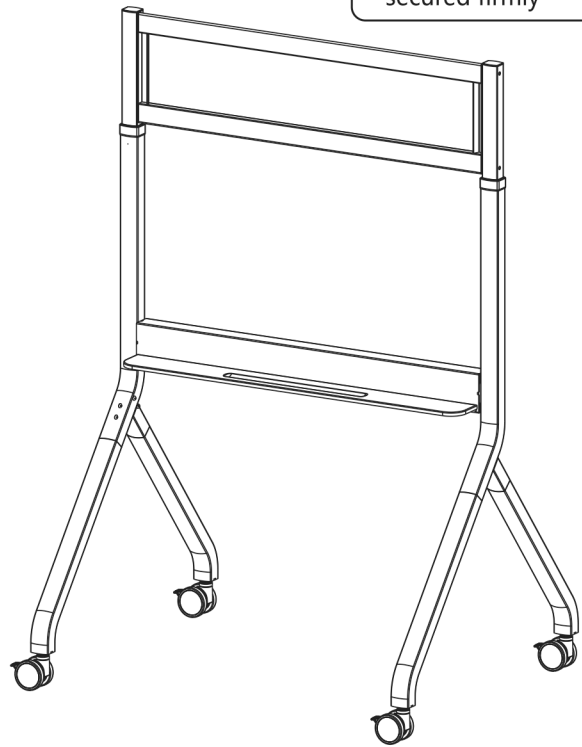
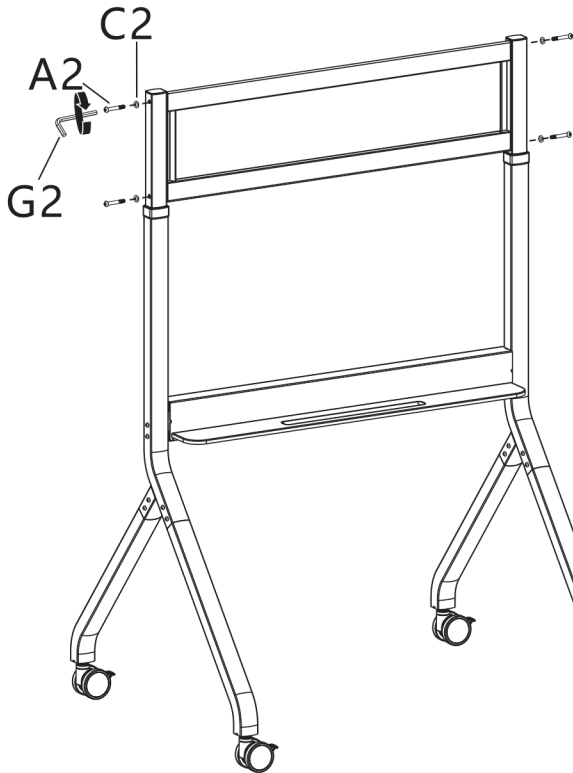
4.1

Assemble the panel as per instruction on label



4.2

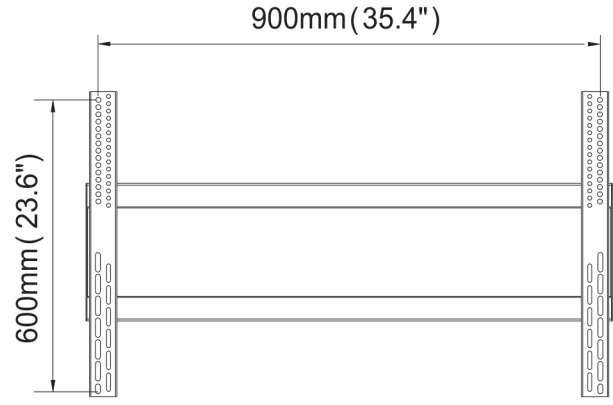
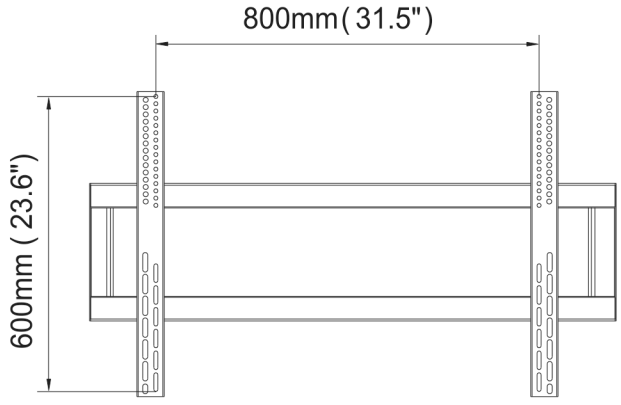
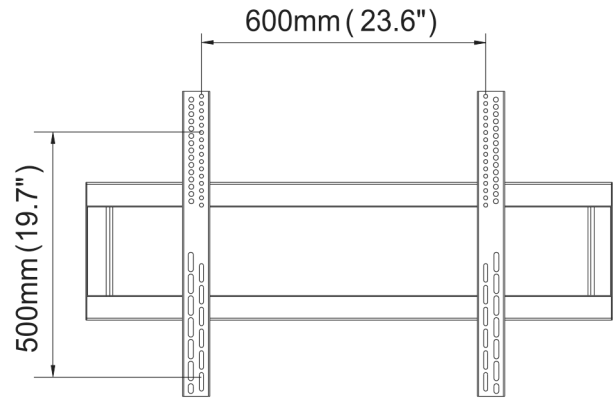
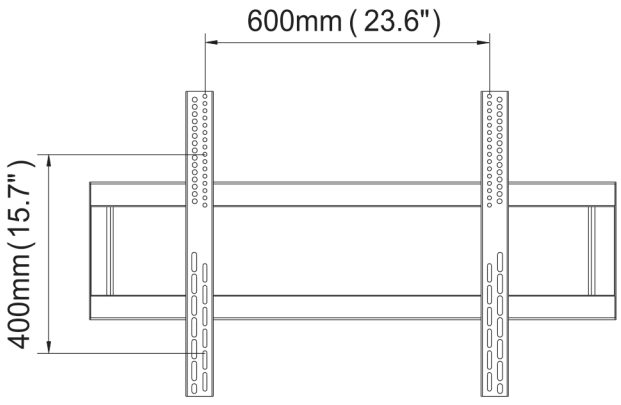
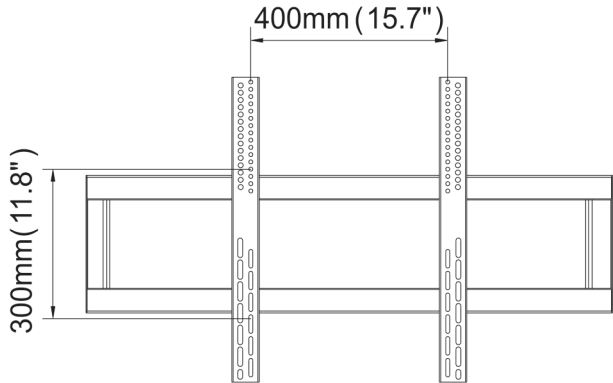
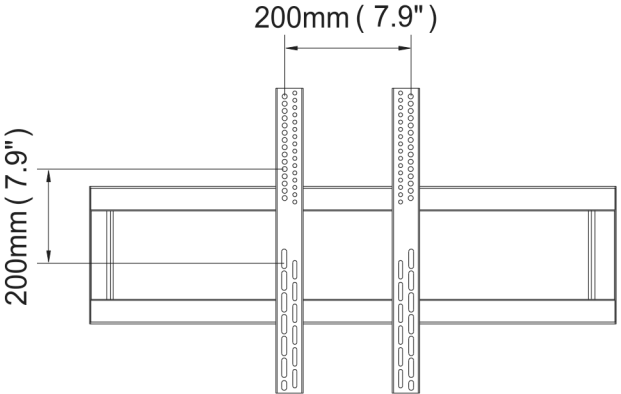
Ensure screws are secured firmly



6. VESA Mounting Patterns

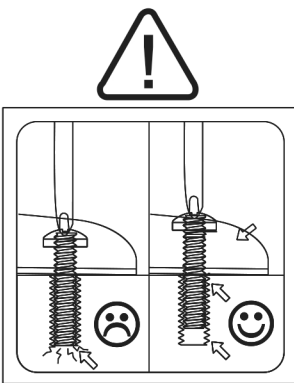
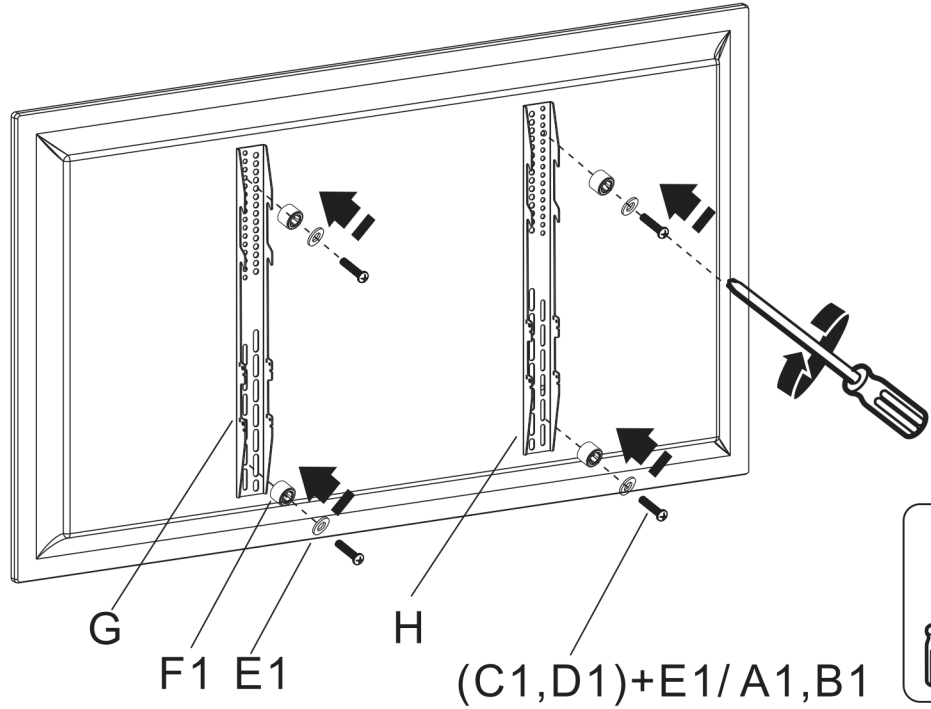
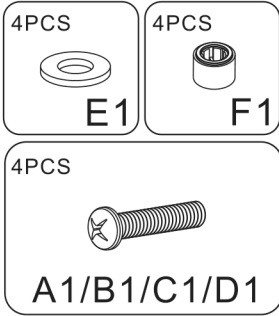
VESA: 200x200 ~ 900x600mm

5.1



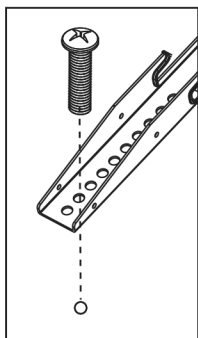
7. VESA Rails and TV Assembly

6.1

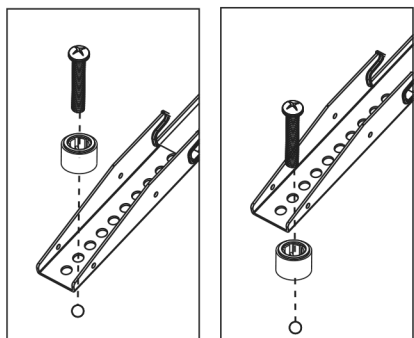


! To avoid TV being damaged due to threaded holes are too shallow, plastic spacers must be used when assemble VESA rails onto your TV with bolts B1, C1 or D1.

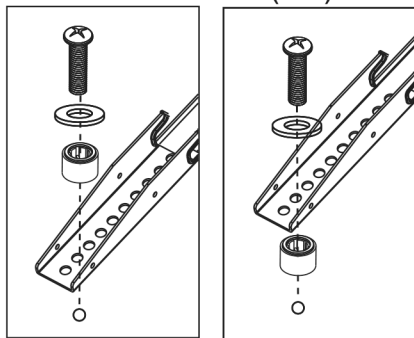
M10×15mm(A1)



M8×25mm(B1)

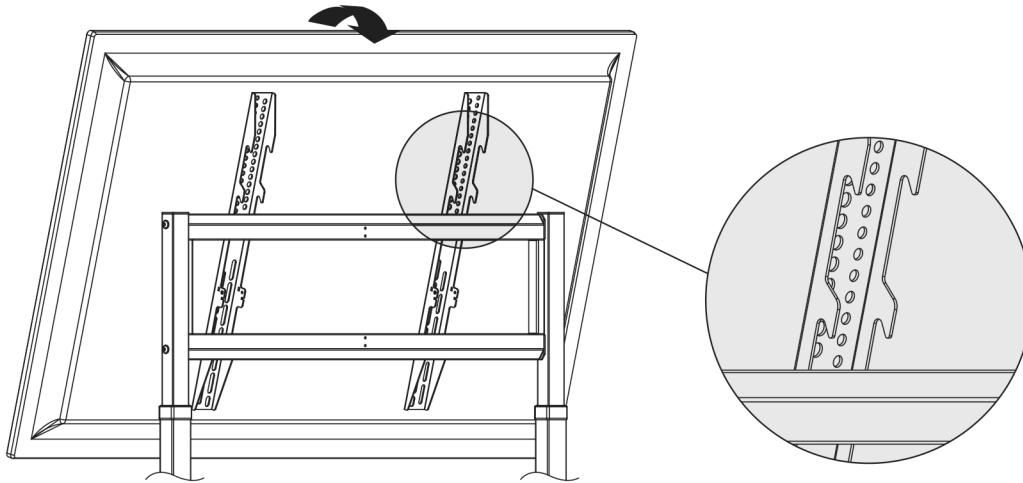


M5×25mm(D1)
M6×25mm(C1)



8. Mounting TV Onto Cart

7.1



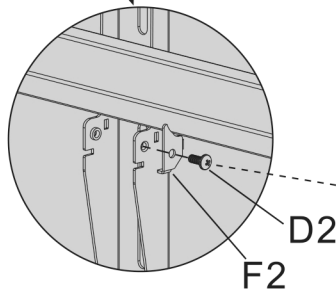
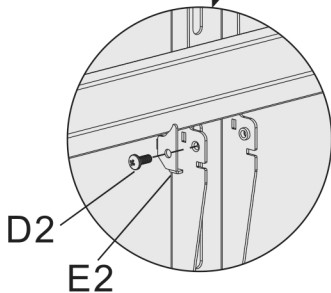
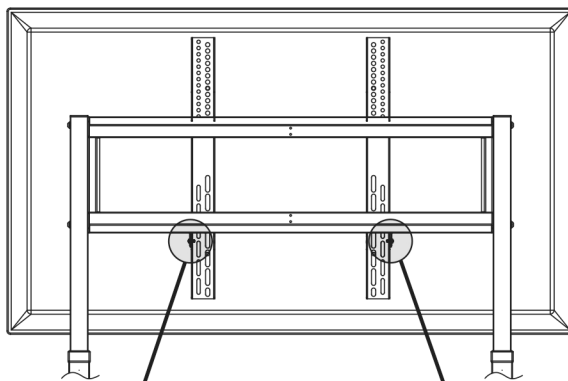
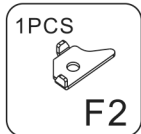
To prevent the TV from colliding with the bracket, please adjust the bracket to the proper height before hanging the TV set.



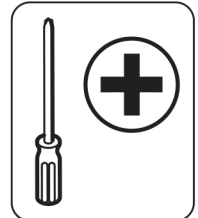
When the mounting holes of the TV set are on the upper side, it is suggested to use the second position of the hook to hang the TV set.

7.2

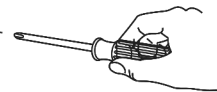
Move TV to the center position



Two people are required to mount TV. Hold TV firmly by the bottom to avoid damage due to slide-off.

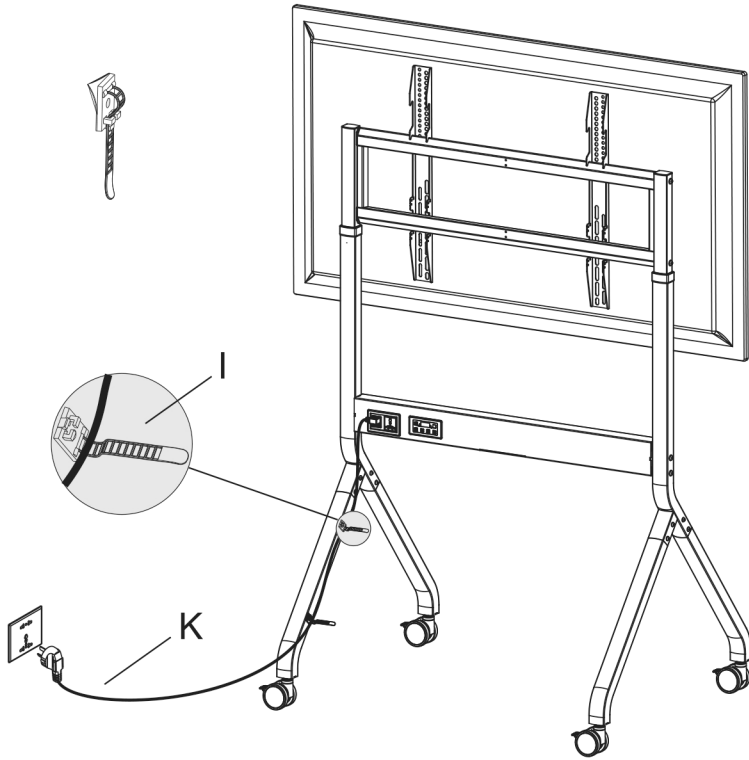


To avoid property damage as well as personal injury, please ensure the security clips are secured firmly.



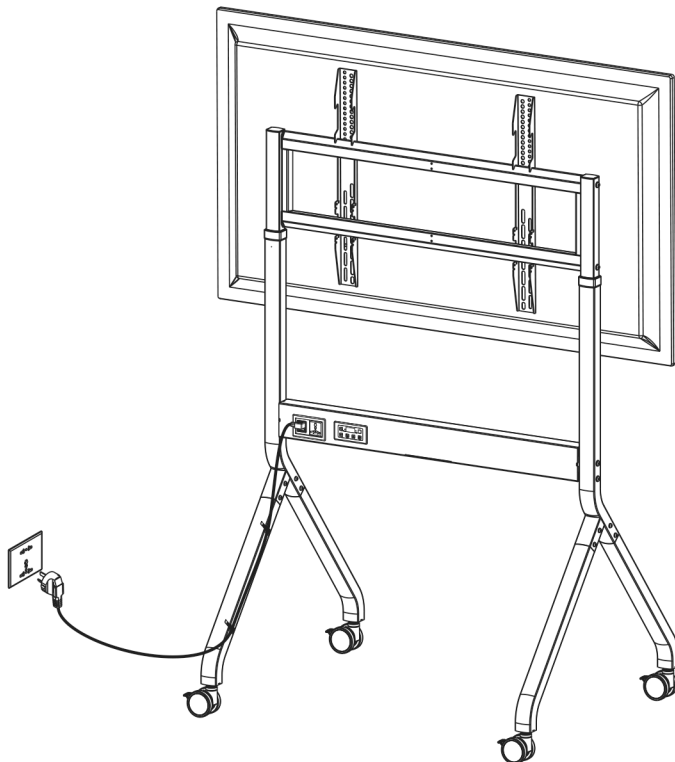
9 . Cable Management

8.1

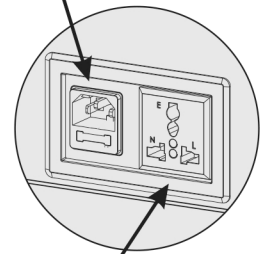


Make sure that no obstacles are in the way when adjusting the height of the screen.

8.2



Output: 100-240V 5A



Input: 100-240V 5A

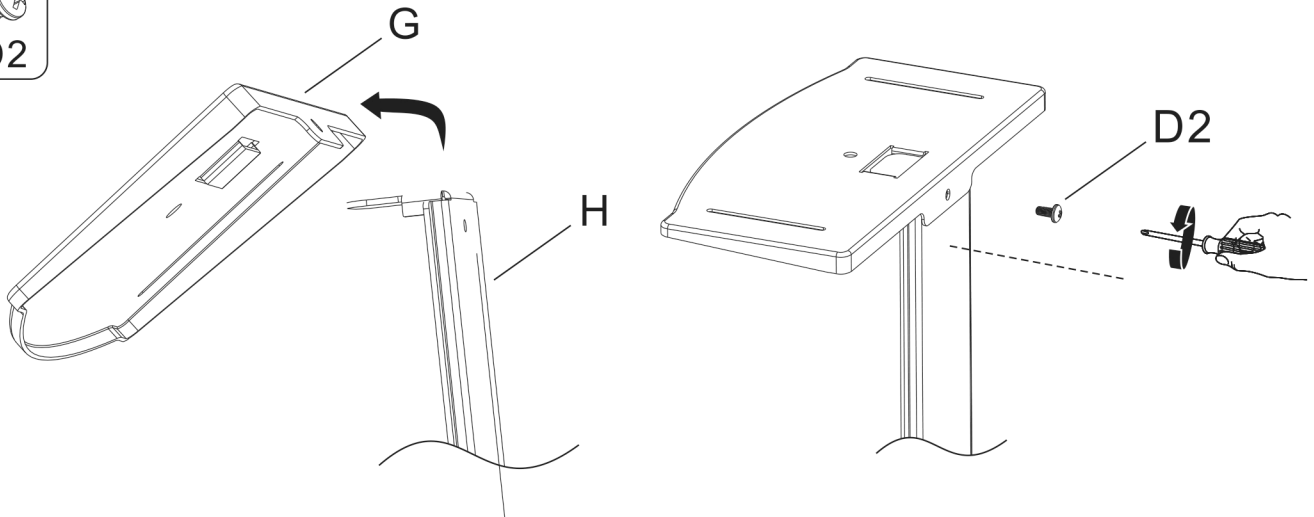
10. Camera Tray Assembly

9.1

1PCS



D2

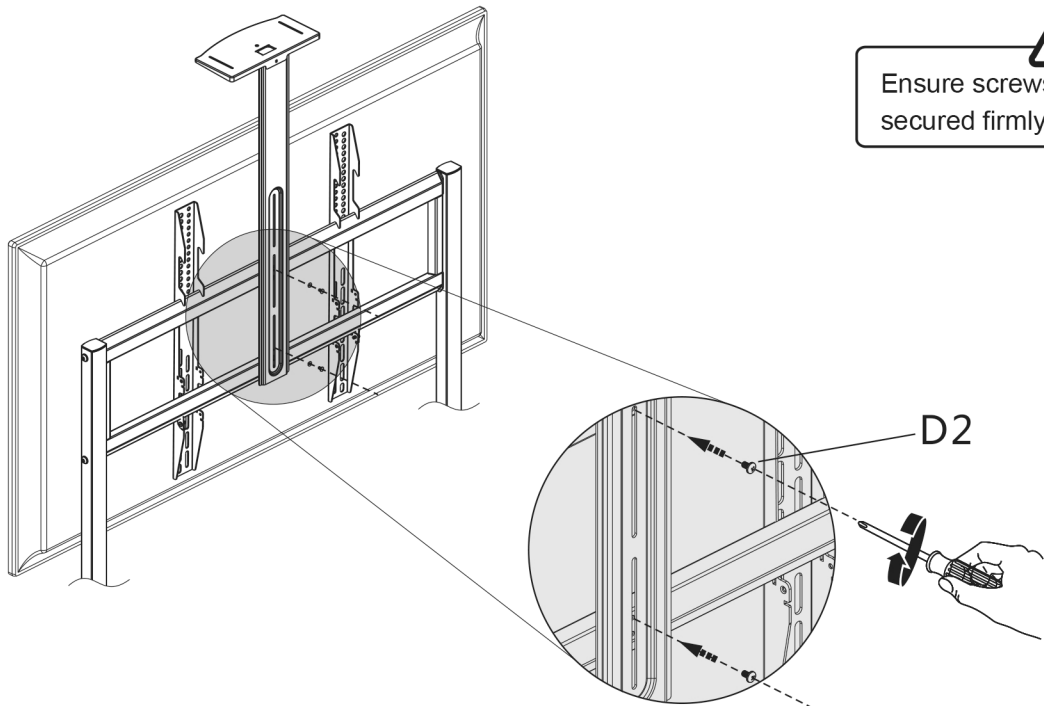


9.2

2PCS

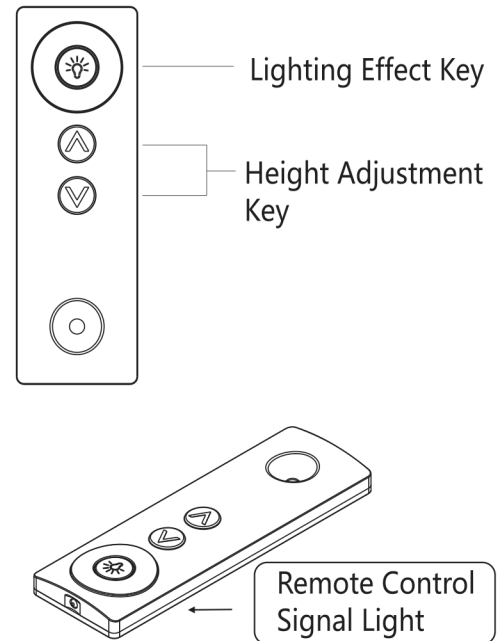
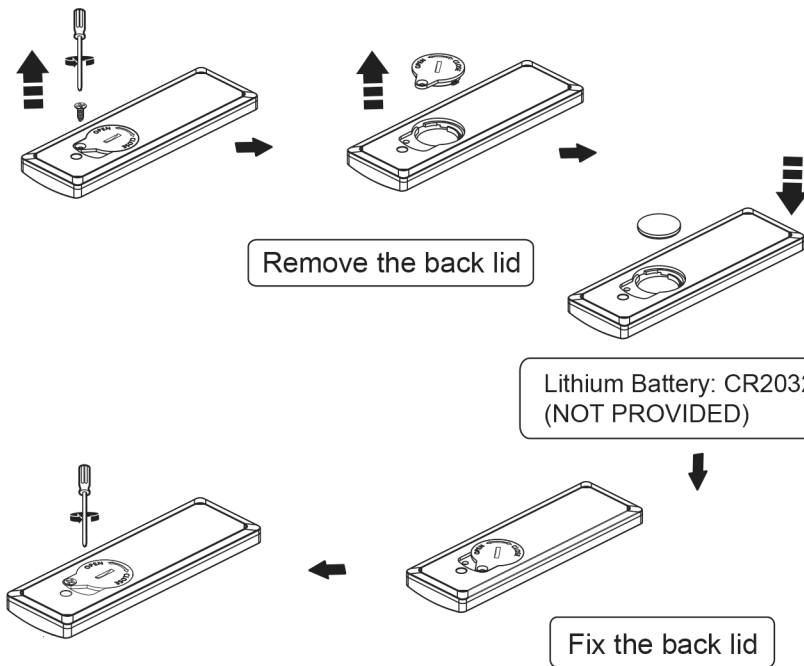


D2






12. Remote Control Manual

11.1



1. How to match remote control with touch control panel

- Make sure the stand is not powered on.
- Press and hold the  button on the remote control until the signal light flashes. Power on the stand while pressing and holding the  button, and release the  button until the signal light on the remote control goes out. At this time, the remote control and the touch panel are successfully matched.


2. Height adjustment

Remote control manual  To raise  To lower.

ATTENTION!

- Lithium battery specification: CR2032. Lithium battery is not included in the product, due to the restrictions on shipping from certain countries and regions.
- Do not disassemble the remote control by non-professionals, otherwise, it may cause the remote control to malfunction.
- Please keep the remote control in a safe place, do not allow any liquid to flow into the remote control. Do not expose the remote control to direct sunlight or extreme heat.
- If you do not use the remote control for a long time, please remove the battery to prevent leakage and damage to the remote control.
- If the remote control is not working properly, please take the battery out, reinstall after 30 seconds, If it still does not work properly, please replace the battery.

13. Troubleshooting Solution

Code	Description	Solution
E01	Electric circuit disconnected	Return the power crossbar to factory for repair
E02	Over current in the motor	A. Reduce the loading weight on stand; B. Return the power crossbar to factory for repair
E03	Obstacles encountered	Removal the obstacles on the way
E04	Motor overheated	A. Wait 18mins to cool down; B. Disconnect power and re-start after reconnection
E05	Power voltage under requirment	Check the power supply and voltage output
E06	Initial reset interrupt	Press and hold  to continue initial reset